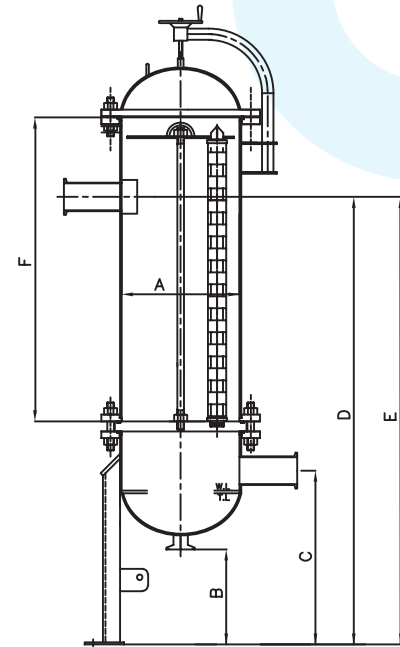


Multi Housing (AF Standard Part 2, Φ 70 Pleated Half Separation)



Features

- Design Pressure : A work according to demand of customer
- Material : Carbon Steel, 304 SS, 316 SS, 316L SS
- Fitting Type : A work according to demand of customer
- Feature : Easy to wash by top and bottom separation structure
- Application : Semiconductor, medicines, food, beverage

Dimension Data

- Cartridge Size : OD 70 mm
- Option : Ladder, platform

Model	Element		Connection		Dimension (mm)					
	Q'ty	Length	(Inlet / Outlet)		A	B	C	D	E	F
AF 3P1L	3	250-254	3/4"	20A	200	250	475	510	775	285
AF 3P2L		500-508	1"	25A	200	250	475	510	1025	535
AF 3P3L		750-762	1 1/2"	40A	200	250	475	510	1275	785
AF 4P1L	4	250-254	1 1/2"	40A	250	250	485	510	785	285
AF 4P2L		500-508	2"	50A	250	250	485	510	1035	535
AF 4P3L		750-762	2"	50A	250	250	485	510	1285	785
AF 6P2L	6	500-508	2"	50A	300	300	560	600	1110	535
AF 6P3L		750-762	2 1/2"	65A	300	300	560	600	1360	785
AF 9P2L	9	500-508	2 1/2"	65A	350	400	685	650	1235	535
AF 9P3L		750-762	3"	80A	350	400	685	650	1485	785
AF 12P2L	12	500-508	3"	80A	400	400	475	680	1250	535
AF 12P3L		750-762	3"	80A	400	400	475	680	1500	785
AF 15P2L	15	500-508	3"	80A	450	450	665	1200	1250	815
AF 15P3L		750-762	4"	100A	450	450	665	1200	1459	815
AF 18P2L	18	500-508	4"	100A	500	450	670	1200	1250	815
AF 18P3L		750-762	6"	150A	500	450	670	1200	1459	815
AF 24P3L	24	750-762	6"	150A	550	450	675	1200	1505	815
AF 24P4L		762-1016	6"	150A	550	675	675	1450	1755	815
AF 36P3L	36	750-762	8"	200A	600	450	680	1200	1510	815
AF 36P4L		762-1016	8"	200A	600	450	680	1450	1765	815
AF 48P3L	48	750-762	10"	250A	700	500	715	1200	1550	815
AF 48P4L		762-1016	12"	300A	700	500	715	1500	1800	815